

Refrigeration Unit

Bitzer Semi-hermetic Screw Compressor Racks



Compressor racks are the best solution for industrial and commercial applications which requires high refrigeration capacity. These systems consist of multiple compressors assembled in a robust frame, condenser and compressor rack is separated from each other as two independent units. The rack can be equipped with a wide range of options, from 2 up to 8 semi-hermetic compressors, in order to meet diverse cooling needs. All components of the refrigeration unit provide a comprehensive protection to ensure optimal safety during its parallel operation.

ICEAGE offers compressor rack solutions in various capacities, with a choice of reciprocating, screw or scroll compressors from top manufacturers, catering to different operational needs.

Advantages:

- > Compact in structure, with centralized installation, small footprint, and easy for centralized control.
- > Minimizes the impact of equipment malfunctions on operation, thereby enhance its operational reliability.
- > It enables multi-stage energy adjustment in response to real-time load variations, thus significantly lowering the operational expenses of the equipment.



Equipped with Bitzer CSH / HSN semi-hermetic screw compressor, it combines high efficiency, a wide range of cooling capacity, flexibility in refrigerant selection, smooth running, solid design and high reliability.



Main components includes crankcase heater, vibration eliminator, oil separator, oil filter, receiver, drier filter, sight glass, accumulator, pressure controller, pressure gauge, oil protector with oil pump, electrical control cabinet,



PLC based control platform, equipped with Schneider electric (or equivalent brand electric), with multi protections including phase protection, phase lack, over current, too constant starting of compressor, discharge temperature, etc.

Refrigeration Unit

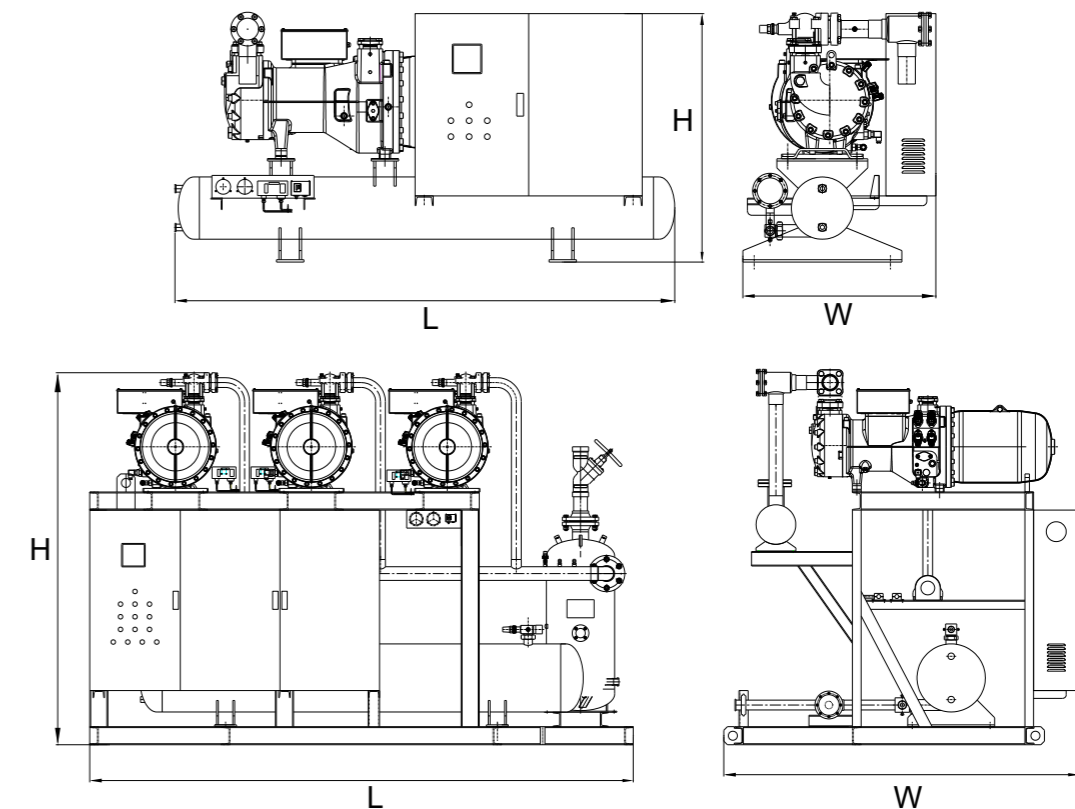
Bitzer Semi-hermetic Screw Compressor Racks

Bitzer CSH screw semi-hermetic compressor rack | Application -5°C / +5°C | R404A / R507A

Model	Compressor			Cooling capacity at evaporating temperature kW			Suction mm	Gas outlet mm	Liquid outlet mm	Liquid inlet mm	Dimensions mm		
	Model	Qty	Total HP	-5°C	-10°C	-15°C					L	W	H
BSCU-1-50M	CSH6553-50Y	1	50	80.3	64.3	50.9	54	42	28	35	1900	900	1150
BSCU-1-60M	CSH6563-60Y	1	60	101.0	80.9	64.0	54	42	28	35	1900	900	1150
BSCU-1-70M	CSH7553-70Y	1	70	116.3	93.0	73.4	76	54	35	42	2200	900	1200
BSCU-1-80M	CSH7563-80Y	1	80	131.7	105.5	83.4	76	54	35	42	2200	900	1200
BSCU-1-90M	CSH7573-90Y	1	90	154.0	124.3	99.0	76	54	35	42	2550	900	1200
BSCU-2-100M	CSH6553-50Y	2	100	160.6	128.6	101.8	89	67	35	42	2400	1300	1600
BSCU-2-120M	CSH6563-60Y	2	120	202.0	161.8	128.0	89	67	42	54	2400	1300	1600
BSCU-2-140M	CSH7553-70Y	2	140	232.6	186.0	146.8	108	76	42	54	2900	1300	1700
BSCU-2-160M	CSH7563-80Y	2	160	263.4	211.0	166.8	108	76	42	54	2900	1300	1700
BSCU-2-180M	CSH7573-90Y	2	180	308.0	248.6	198.0	108	76	54	54	2900	1300	1700
BSCU-3-150M	CSH6553-50Y	3	150	240.9	192.9	152.7	2 x 76	76	42	54	3000	1960	2000
BSCU-3-180M	CSH6563-60Y	3	180	303.0	242.7	192.0	2 x 76	76	54	54	3000	1960	2000
BSCU-3-210M	CSH7553-70Y	3	210	348.9	279.0	220.2	2 x 89	89	54	54	3000	1960	2100
BSCU-3-240M	CSH7563-80Y	3	240	395.1	316.5	250.2	2 x 89	89	54	54	3000	1960	2100
BSCU-3-270M	CSH7573-90Y	3	270	462.0	372.9	297.0	2 x 108	89	67	67	3000	1960	2100

(1) Condensation temperature +45°C.

Dimensions



Refrigeration Unit

Bitzer Semi-hermetic Screw Compressor Racks

Bitzer HSN screw semi-hermetic compressor rack | Application -40°C / -25°C | R404A / R507A

Model	Compressor			Cooling capacity at evaporating temperature kW				Suction mm	Gas outlet mm	Liquid outlet mm	Liquid inlet mm	Dimensions mm		
	Model	Qty	Total HP	-25°C	-30°C	-35°C	-42°C					L	W	H
BSCU-1-50L	HSN6461-50	1	50	67.8	56.2	46.0	33.8	54	42	28	35	1750	1250	1640
BSCU-1-60L	HSN7451-60	1	60	81.5	67.1	54.5	39.5	76	54	28	35	1750	1250	1640
BSCU-1-70L	HSN7461-70	1	70	93.2	77.0	62.8	45.9	76	54	28	35	1750	1250	1640
BSCU-1-75L	HSN7471-75	1	75	97.3	80.6	66.1	48.7	76	54	28	35	1750	1250	1640
BSCU-1-110L	HSN8561-110	1	110	128.0	102.6	80.7	55.2	108	76	35	42	2150	1400	1870
BSCU-1-125L	HSN8571-125	1	125	158.4	130.7	106.5	77.7	108	76	42	54	2150	1400	1870
BSCU-1-160L	HSN8591-160	1	160	198.2	163.6	133.2	96.9	108	76	42	54	2150	1400	1870
BSCU-2-100L	HSN6461-50	2	100	135.6	112.4	92.0	67.6	89	76	35	42	2650	1880	2100
BSCU-2-120L	HSN7451-60	2	120	163.0	134.2	109.0	79.0	108	76	42	54	2650	1880	2100
BSCU-2-140L	HSN7461-70	2	140	186.4	154.0	125.6	91.8	108	76	42	54	2650	1880	2100
BSCU-2-150L	HSN7471-75	2	150	194.6	161.2	132.2	97.4	108	76	42	54	2650	1880	2100
BSCU-2-220L	HSN8561-110	2	220	256.0	205.2	161.4	110.4	133	108	54	67	3450	2020	2300
BSCU-2-250L	HSN8571-125	2	250	316.8	261.4	213.0	155.4	159	108	54	67	3450	2020	2300
BSCU-2-320L	HSN8591-160	2	320	396.4	327.2	266.4	193.8	159	108	67	76	3450	2020	2300
BSCU-3-150L	HSN6461-50	3	150	203.4	168.6	138.0	101.4	2 x 89	76	42	54	3450	1900	2100
BSCU-3-180L	HSN7451-60	3	180	244.5	201.3	163.5	118.5	2 x 89	89	54	67	3450	1900	2100
BSCU-3-210L	HSN7461-70	3	210	279.6	231.0	188.4	137.7	2 x 108	108	54	67	3450	1900	2100
BSCU-3-225L	HSN7471-75	3	225	291.9	241.8	198.3	146.1	2 x 108	108	54	67	3450	1900	2100
BSCU-3-330L	HSN8561-110	3	330	384.0	307.8	242.1	165.6	2 x 133	108	67	76	4250	2020	2300
BSCU-3-375L	HSN8571-125	3	375	475.2	392.1	319.5	233.1	2 x 133	133	67	76	4250	2020	2300
BSCU-4-200L	HSN6461-50	4	200	271.2	224.8	184.0	135.2	3 x 89	89	54	67	4250	1900	2100
BSCU-4-240L	HSN7451-60	4	240	326.0	268.4	218.0	158.0	3 x 89	108	54	67	4250	1900	2100
BSCU-4-280L	HSN7461-70	4	280	372.8	308.0	251.2	183.6	3 x 108	108	67	76	4250	1900	2100
BSCU-4-300L	HSN7471-75	4	300	389.2	322.4	264.4	194.8	3 x 108	108	67	76	4250	1900	2100

(1) Condensation temperature +45°C.

Dimensions

